

APPLICATION:

PRODUCT NAME:
**STAINLESS STEEL REEL RINSE
 CLOSED WITH SPRAY GUN**

JOB NAME:

SPECIAL CONFIGURATION
 CHECK BASE MODEL AND OPTIONS

QUANTITY:

ITEM NO.

MODEL:

- 29637 W/ 35' LENGTH HOSE
- 29629 W/ 50' LENGTH HOSE

OPTIONS OR MODIFICATIONS:

- SUPPLY LINES (24" OR 36") CIRCLE LENGTH
- ADD-ON FAUCET (6", 8", 10", 12", 14", 16") CIRCLE
- IN-LINE DUAL CHECK VALVE
- HANDLES (CROSS OR WRIST) CIRCLE STYLE
- VANDAL RESISTANT KIT
- OTHER _____

FEATURES:

- REEL RINSE**
- * CLOSED DESIGN
 - * STAINLESS STEEL CONSTRUCTION
 - * ADJUSTABLE GUIDE SLEEVE
 - * RATCHET LOCK AND EASY TENSION ADJUST
 - * STAINLESS STEEL OR BRASS FLUID PATH

- HOSE**
- * 35' OR 50' LENGTH REEL HOSE
 - * 5/8" ID HIGH TEMPERATURE HOSE
 - * 3-PLY FIBER REINFORCED
 - * 1/2" F NPT OR 3/4" F GARDEN HOSE INLET
 - * 18" LENGTH INLET HOSE
 - * ADJUSTABLE BALL STOP

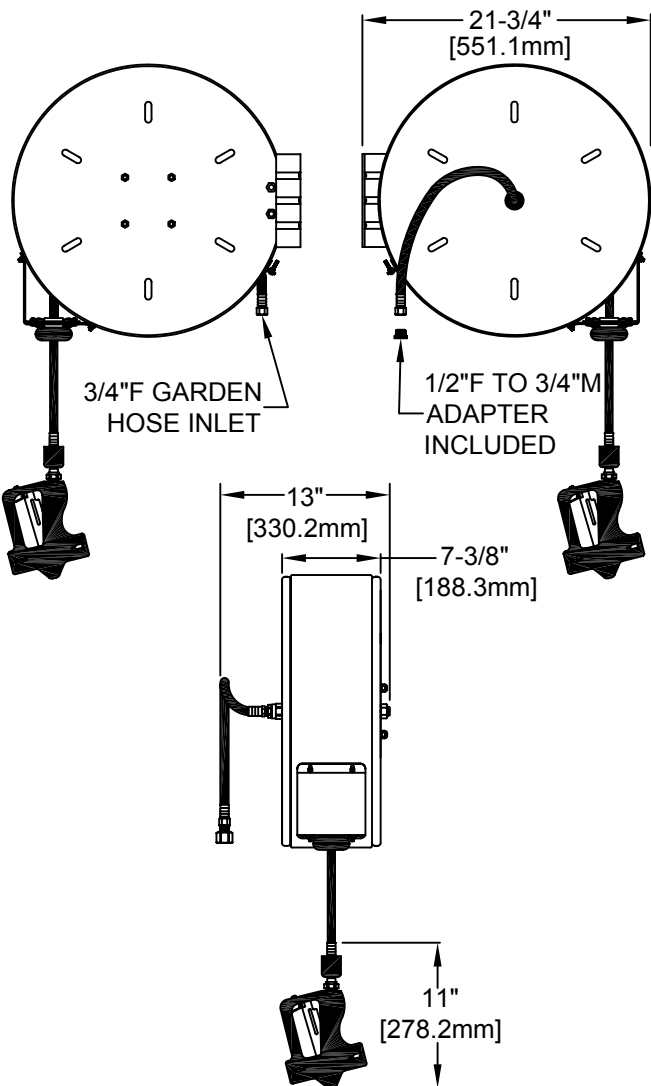
- SPRAY GUN**
- * STAINLESS STEEL CONSTRUCTION
 - * WATERPROOF NYLON COVER
 - * ERGONOMIC DESIGN
 - * LOCKING TRIGGER MECHANISM
 - * 7.0 GPM AT 80 PSI

SYSTEM LIMITS

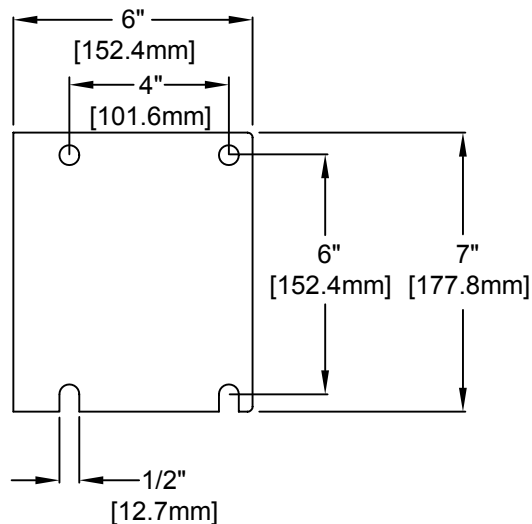
- * TEMP: 40°F MIN. TO 140°F MAX.
- * PRESSURE 150 PSI MAX. STATIC

SHIPPING WEIGHT

- * 29637 - 62.0 LBS
- * 29629 - 70.0 LBS



ROUGH-IN: SEE MOUNTING PLATE BELOW



ANSI/A112.18.1M



FISHER MANUFACTURING COMPANY
 TOLL FREE: 800-421-6162 - FAX: 800-832-8238
 information@fisher-mfg.com - www.fisher-mfg.com